

AIRO MICROSTRIKE

AREA/SITE LUMINAIRE FAMILY



AIRO MICROSTRIKE AREA/SITE

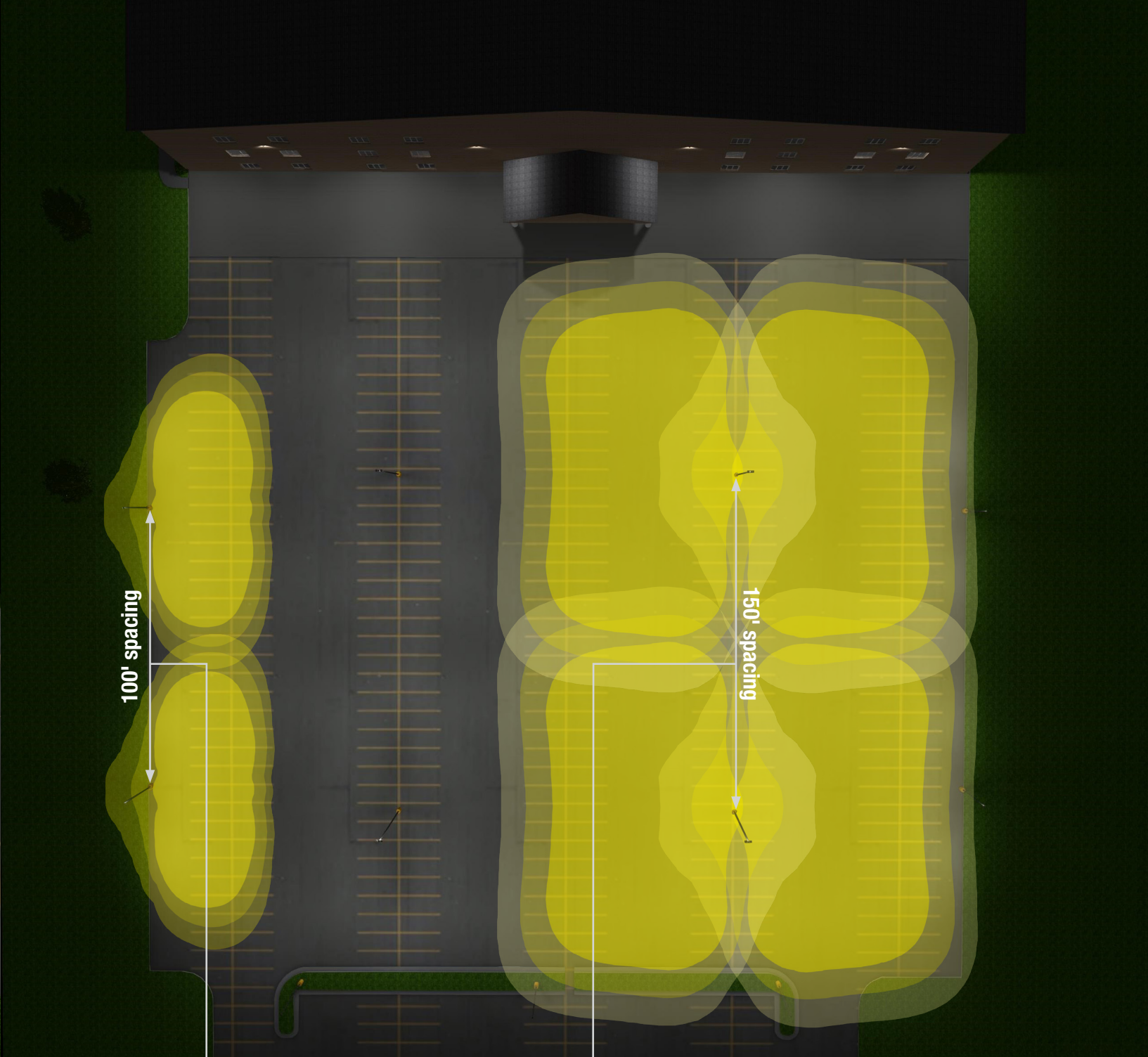
Hubbell Outdoor Lighting's AIRO area/site family is available in two sizes as well as a variety of outputs allowing you to customize your lighting design to meet application requirements. With a new spin on a classic form, Airo brings the traditional cobra head aesthetic into the next generation of LED lighting. Airo features a dense optical array which provides reduced pixilation and increased visual comfort without compromising performance. Designed for sustained, long-term performance with advanced thermal management, an elegantly simple heat sink and industry leading surge protection.



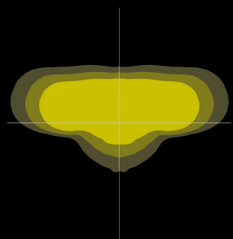
Size	Airo (ASL1)	Airo (ASL1)	Airo (ASL2)
Lumens	3,000–6,000	9,000–18,000	21,000–36,000
Watts	25–50W	70–135W	145–255W
LPW	140	143	148
Mounting	Universal Arm, Mast Arm, Wall	Universal Arm, Mast Arm, Wall	Universal Arm, Mast Arm, Wall
CCT	3K, 4K, 5K	3K, 4K, 5K	3K, 4K, 5K
Distributions	II, III, IV, V	II, III, IV, V	II, III, IV, V
Surge Protection	20kA	20kA	20kA
Legacy Equivalence	100–175W	175–400W	400–1000W

IES COMPARISON

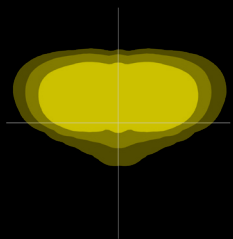
The Airo is available with four distinct distribution patterns to illuminate a variety of applications. Featuring Micro Strike Optics which maximizes target zone illumination with minimal losses at the house-side, reducing light trespass issues. This outstanding optic control simplifies layouts and installations, reducing pole count, energy consumption, lowers installation costs and improves visual acuity.



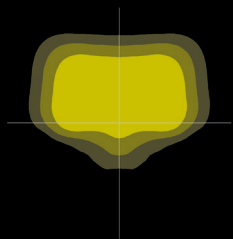
Type II



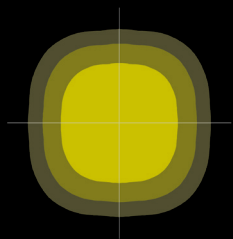
Type III



Type IV



Type V



The 135W Airo replaces 400W legacy luminaires and can be seen here on 25ft poles. The Type III distribution provides great spacing between poles and minimal backlight.

The 255W Airo replaces 1000W legacy luminaires on up to 40ft poles. The Type IV distribution enhances uniformity by pushing light to the corners of the distribution where dark spots are most common.

AIRO MICROSTRIKE INTEGRATED CONTROLS

Controls in area/site applications save energy, extend luminaire life and allow customizable solutions. Sensors control light output based on area utilization and are used for energy savings and local code compliance.



STANDALONE CONTROLS FUNCTIONALITY

Occupancy Sensor

- Individual fixture control
- Dims product when space is not occupied



7-Pin Receptacle

- Compatible with 3-pin, 5-pin or 7-pin photocontrols
- Turns fixture on when sun sets, off when sun rises
- Wireless networked solution
- For use with a variety of control platforms

*Additional accessories required.



INTEGRATED CONTROLS

NX DISTRIBUTED INTELLIGENCE™

Hubbell Controls Solutions' NX Distributed Intelligence™ platform delivers a lighting control solution capable of seamlessly connecting exterior and interior applications.

- Standalone or networked fixture control
- Astronomical time schedules
- BACnet building networking
- Connects with indoor wired, wireless or hybrid networks
- Wireless setup via app
- Occupancy Sensor option dims product when space is not occupied



SiteSync™ LIGHTING CONTROL

SiteSync Lighting Control delivers flexible control strategies for reducing power consumption and minimizing maintenance costs while delivering the right light levels with a simple and affordable wireless solution.



- Pre-commissioning options available
- Standalone or networked fixture control
- Astronomical time schedules
- Occupancy Sensor option dims product when space is not occupied



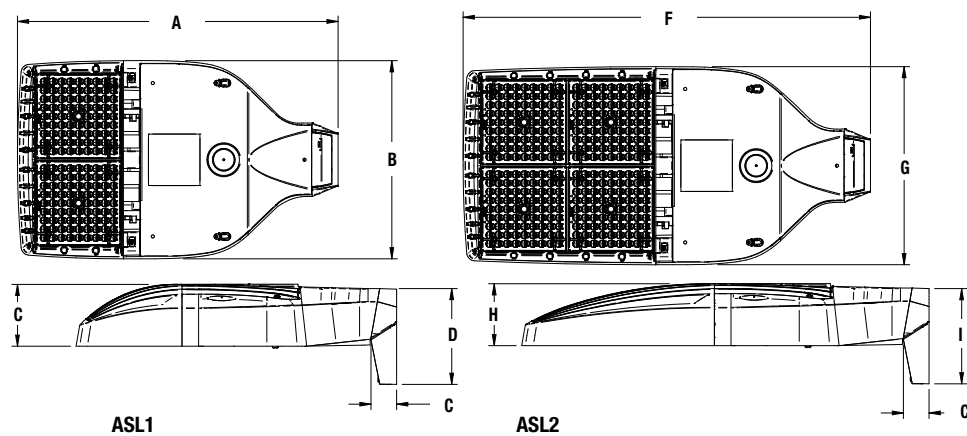
ORDERING INFORMATION ORDERING EXAMPLE: ASL1-80L-50-4K7-2-L-UNV-ASQU-SWP-BLT

Series	# LEDs	CCT/CRI	Distribution	Rotation/Orientation	Voltage	Mounting
ASL1 ASL Microstrike Series	80L-25 3,000 lm	3K7 3000K, 70 CRI	2 Type II	L Optic rotation left	UNV Universal 120-277V	ASQU Arm Square w/ Universal Mount
	80L-39 4,500 lm	4K7 4000K, 70 CRI	3 Type III	R Optic rotation right		
	80L-50 6,000 lm	5K7 5000K, 70 CRI	4W Type 4W		120 120V	A3 AS with 3.5-4.13" OD RPA3 & UM
	160L-70 9,000 lm	3K8 3000K, 80 CRI	5QW Type 5QW		208 208V	A4 AS with 4.18-5.25" OD RPA4 & U
	160L-100 12,000 lm	4K8 4000K, 80 CRI			240 240V	A5 AS with 5.5-6.5" OD RPA5 & UM
	160L-115 15,000 lm	5K8 5000K, 80 CRI			277 277V	MAF Mast Arm Fitter for 2-3/8" OD
	160L-135 18,000 lm				347 347V	WB Wall brkt area wall mount AS
ASL2 ASL Microstrike Series	320L-145 21,000 lm				480 480V	
	320L-170 24,000 lm					
	320L-185 27,000 lm					
	320L-210 30,000 lm					
	320L-235 33,000 lm					

Control Options Network	
SWP ⁶	SiteSync pre-commissioned
SWPM ⁶	SiteSync wireless pre-commissioned w/ motion detection
NXSPW14F	NX Wireless, PIR Occupancy Sensor, Dimming Daylight Harvesting, 14' (use white for WH, black for DB, GT, TT, gray for LG, PS)
NXSPW30F	NX Wireless, PIR Occupancy Sensor, Dimming Daylight Harvesting, 30' (use white for WH, black for DB, GT, TT, gray for LG, PS)
NXSP14F	NX, PIR Occupancy Sensor, Dimming Daylight Harvesting, 14' (use white for WH, black for DB, GT, TT, gray for LG, PS)
NXSP30F	NX, PIR Occupancy Sensor, Dimming Daylight Harvesting, 30' (use white for WH, black for DB, GT, TT, gray for LG, PS)
NXWE	NX Wireless Enabled (module + radio)
Stand Alone Sensors	
SCP-8F	Remote control programmable line voltage sensor (Wattstopper FSP-211B, 221B; all voltages)
SCP-20F	Remote control programmable line voltage sensor (Wattstopper FSP-211B, 221B; all voltages)
Control Options Other	
7PR	7 Pin Receptacle
7PR-SC	7 Pin Receptacle with shorting cap
7PR-MD-F	7 Pin Receptacle with Low voltage sensor for External control accessory
7PR-TL	7 Pin Receptacle with Photocontrol

Options		Color	
F	Fusing	BLT	Black Matte Textured
BC	Backlight Control	BLS	Black Gloss Smooth
TB	Terminal Block	DBT	Dark Bronze Matte Textured
TE	Toolless Entry	DBS	Dark Bronze Gloss Smooth
SSF	Stainless Steel Fasteners	GTT	Graphite Matte Textured
		LGS	Light Grey Gloss Smooth
		LGT	Light Grey Matte Textured
		PSS	Platinum Silver Smooth
		WHT	White Matte Textured
		WHS	White Gloss Smooth
		VGT	Verde Green Textured
		Color Option	
		CC	Custom Color

DIMENSIONS



Weight	
ASL1	14.47 lbs (6.56 kgs)
ASL2	17.47 lbs (7.92 kgs)

A	B	C	D	E	F	G	H	I	ASL1 EPA@0°	ASL2 EPA@0°	ASL1 w/ HSS	ASL2 w/ HSS
18.9"	11.7"	3.7"	5.65"	1.5"	24.0"	11.7"	3.7"	5.62"	.46 ft. ²	.56 ft. ²	.73 ft. ²	1.01 ft. ²
480mm	297mm	94mm	144mm	38mm	610mm	297mm	94mm	143mm	.14 m ²	.17 m ²	.22 m ²	.31 m ²

ACCESSORIES (Order Separately)

Catalog Number	Description
ASL1-HSS-90-B-XXX ¹	House Side Shield Back 90 deg
ASL1-HSS-90-F-XXX ¹	House Side Shield Front 90 deg
ASL1-HSS-90-S-XXX ¹	House Side Shield Side 90 deg
ASL1-HSS-270-BSS-XXX ¹	House Side Shield Back, Side & Side 270 deg
ASL1-HSS-270-FSS-XXX ¹	House Side Shield Front, Side & Side 270 deg
ASL1-HSS-270-FSB-XXX ¹	House Side Shield Front, Side & Back 270 deg
ASL1-HSS-360-XXX ¹	House Side Shield 360 deg
ASL2-HSS-90-B-XXX ¹	House Side Shield Back 90 deg
ASL2-HSS-90-F-XXX ¹	House Side Shield Front 90 deg
ASL2-HSS-90-S-XXX ¹	House Side Shield Side 90 deg
ASL2-HSS-270-BSS-XXX ¹	House Side Shield Back, Side & Side 270 deg
ASL2-HSS-270-FSS-XXX ¹	House Side Shield Front, Side & Side 270 deg
ASL2-HSS-270-FSB-XXX ¹	House Side Shield Front, Side & Back 270 deg
ASL2-HSS-360-XXX ¹	House Side Shield 360 deg
ASL-MAF	Mast arm kit with wildlife shield for mounting on 2 3/8" OD arms
SETA2-XX ¹	Square pole tenon adapter (4 at 90 degrees) (2 3/8" OD tenon)
RETA2-XX ¹	Round pole tenon adapter (4 at 90 degrees) (2 3/8" OD tenon), requires CL1S-RPA4-ACC-XX for each luminaire
RARBC80L	Backlight Control 80L
RARBC160L	Backlight Control 160L
RARBC320L	Backlight Control 320L
RARBC480L	Backlight Control 480L
CL1S-RPA4-ACC-XX ¹	Round Pole Adapter (* denotes pole diameter; 3 = 3 1/4" - 3 3/4"; 4* = 3 7/8" - 6")
ASL-ARMMTG-XX ¹	Arm mounting kit for side of pole attachment
WB-AREA-XX ¹	Wall bracket, Compatible with standard arm mount option
ASL-MAF	Mast arm kit with wildlife shield for mounting on 2 3/8" OD arms

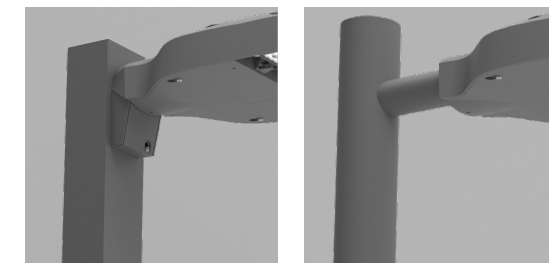
¹ Replace XX or XXX with color choice, eg: DB for Dark Bronze or BLT for Black Matte Textured

CONTROL ACCESSORIES

Catalog Number	Description
SCP-Remote	Remote Control for SCP/_F option. Order at least one per project to program and control the occupancy sensor
SWUSB	SiteSync™ Software on USB
SWTAB	SiteSync™ Windows Tablet
SWBRG	SiteSync™ Wireless Bridge Node
SWFC	SiteSync™ Field Commission Serve
SW7PR	SiteSync™ on fixture module via 7PR
WIR-RME-L	wISCAPE External Fixture Module
NXOFM-1R1D-UNV	NX Wireless, Daylight Harvesting, BLE, 7 pin twisted lock

Notes:
 * When ordering SiteSync at least one of these two interface options must be ordered per project
 + Available as a SiteSync retrofit solution for fixtures with an existing 7pin receptacle

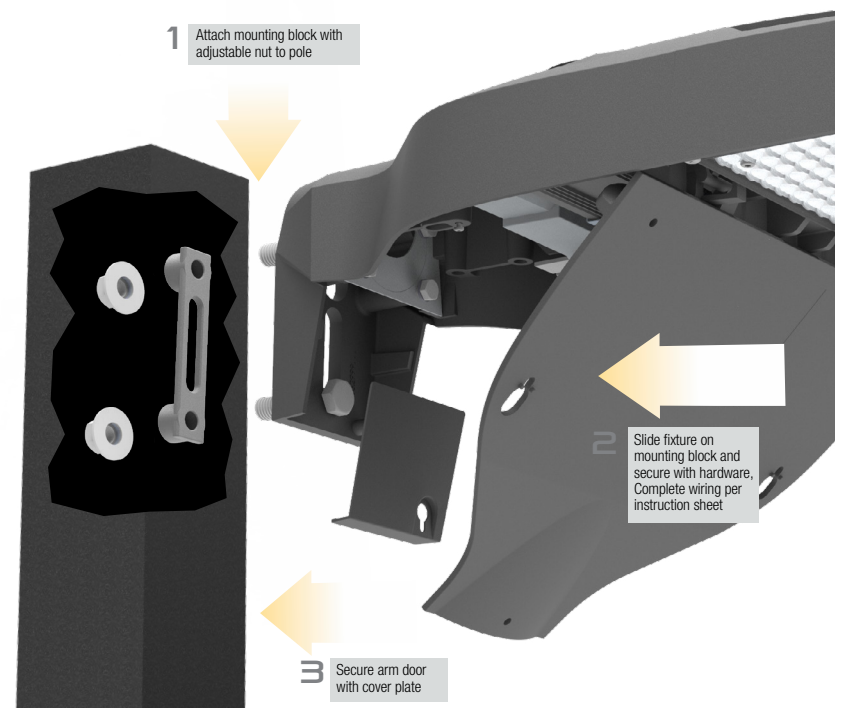
MOUNTING



Wall Mount – Wall mount bracket designed for building mount applications.

UNIVERSAL MOUNTING BLOCK

Universal mounting block for ease of installation. Compatible with drill patterns from 2.5" to 4.5"



FINISH OPTIONS

BLT Black Matte Textured	BLS Black Gloss Smooth	DBT Dark Bronze Matte Textured	DBS Dark Bronze Gloss Smooth	DBS Graphite Matte Textured	PSS Platinum Silver Smooth
LGT Light Grey Gloss Smooth	LGS Light Grey Gloss Smooth	WHT White Matte Textured	WHS White Gloss Smooth	VGT Verde Green Textured	

Luminaire / Pole Combination

10-DAY QUICK SHIPMENT PROGRAM



PRONTO COMBO

10 DAY QUICK SHIPMENT PROGRAM

Airo Series Luminaire

- Two sizes up to 30,000 lumens
- Single & Double 180 deg. Configurations 4000K & 5000K CCT (70 CRI)
- Type III & IV Distributions
- Dark Bronze Powder Paint (textured)

SSS Series Poles

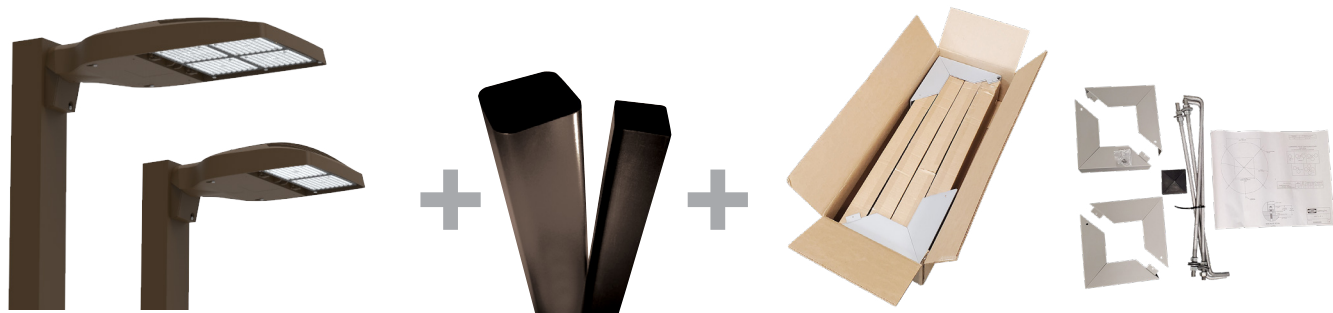
- Square Straight Steel Construction
- 4" Square x 0.125" Wall Thickness
- 16', 20', & 25' Lengths
- Pole Base Accommodates 8"-10" bolt circles using four (4) 3/4" diameter anchor bolts
- Dark Bronze Powder Paint (textured)
- With or Without Anchor Bolts
- Select Configurations Include Vibration Damper



Quick Shipments

- All Product Manufactured and Ship From Christiansburg, VA Within 10 Days
- Consolidated Shipment – Everything Arrives On One Truck!
- All Configurations Available Less Anchor Bolts
- Stocked Anchor Bolts & Templates Available for Advanced Foundation Construction

Complete Fixture, Pole, Anchor Bolts/Base Covers, Pole Caps and Template



Ordering Information – Pole Combo

Catalog Number	Pole	Single or Double Head	Fixture	Distribution
ASL1-100-4K7-3-S20	20' Square Straight Steel	Single Head	ASL-160L-100-4K7	3
ASL1-100-4K7-4W-S20	20' Square Straight Steel	Single Head	ASL-160L-100-4K7	4W
ASL1-100-4K7-3-S20-2X	20' Square Straight Steel	Double Head (180°)	ASL-160L-100-4K7	3
ASL1-100-4K7-4W-S20-2X	20' Square Straight Steel	Double Head (180°)	ASL-160L-100-4K7	4W
ASL1-100-4K7-3-S25	25' Square Straight Steel	Single Head	ASL-160L-100-4K7	3
ASL1-100-4K7-4W-S25	25' Square Straight Steel	Single Head	ASL-160L-100-4K7	4W
ASL1-100-4K7-3-S25-2X	25' Square Straight Steel	Double Head (180°)	ASL-160L-100-4K7	3
ASL1-100-4K7-4W-S25-2X	25' Square Straight Steel	Double Head (180°)	ASL-160L-100-4K7	4W
ASL1-135-4K7-3-S20	20' Square Straight Steel	Single Head	ASL-160L-135-4K7	3
ASL1-135-4K7-4W-S20	20' Square Straight Steel	Single Head	ASL-160L-135-4K7	4W
ASL1-135-4K7-3-S20-2X	20' Square Straight Steel	Double Head (180°)	ASL-160L-135-4K7	3
ASL1-135-4K7-4W-S20-2X	20' Square Straight Steel	Double Head (180°)	ASL-160L-135-4K7	4W
ASL1-135-4K7-3-S25	25' Square Straight Steel	Single Head	ASL-160L-135-4K7	3
ASL1-135-4K7-4W-S25	25' Square Straight Steel	Single Head	ASL-160L-135-4K7	4W
ASL1-135-4K7-3-S25-2X	25' Square Straight Steel	Double Head (180°)	ASL-160L-135-4K7	3
ASL1-135-4K7-4W-S25-2X	25' Square Straight Steel	Double Head (180°)	ASL-160L-135-4K7	4W
ASL2-145-4K7-3-S20	20' Square Straight Steel	Single Head	ASL-320L-145-4K7	3
ASL2-145-4K7-4W-S20	20' Square Straight Steel	Single Head	ASL-320L-145-4K7	4W
ASL2-145-4K7-3-S20-2X	20' Square Straight Steel	Double Head (180°)	ASL-320L-145-4K7	3
ASL2-145-4K7-4W-S20-2X	20' Square Straight Steel	Double Head (180°)	ASL-320L-145-4K7	4W
ASL2-145-4K7-3-S25	25' Square Straight Steel	Single Head	ASL-320L-145-4K7	3
ASL2-145-4K7-4W-S25	25' Square Straight Steel	Single Head	ASL-320L-145-4K7	4W
ASL2-145-4K7-3-S25-2X	25' Square Straight Steel	Double Head (180°)	ASL-320L-145-4K7	3
ASL2-145-4K7-4W-S25-2X	25' Square Straight Steel	Double Head (180°)	ASL-320L-145-4K7	4W
ASL2-210-4K7-3-S20	20' Square Straight Steel	Single Head	ASL-320L-210-4K7	3
ASL2-210-4K7-4W-S20	20' Square Straight Steel	Single Head	ASL-320L-210-4K7	4W
ASL2-210-4K7-3-S20-2X	20' Square Straight Steel	Double Head (180°)	ASL-320L-210-4K7	3
ASL2-210-4K7-4W-S20-2X	20' Square Straight Steel	Double Head (180°)	ASL-320L-210-4K7	4W
ASL2-210-4K7-3-S25	25' Square Straight Steel	Single Head	ASL-320L-210-4K7	3
ASL2-210-4K7-4W-S25	25' Square Straight Steel	Single Head	ASL-320L-210-4K7	4W
ASL2-210-4K7-3-S25-2X	25' Square Straight Steel	Double Head (180°)	ASL-320L-210-4K7	3
ASL2-210-4K7-4W-S25-2X	25' Square Straight Steel	Double Head (180°)	ASL-320L-210-4K7	4W

Quick Ship Ordering Information – Standalone Fixture

Series	# LEDs	CCT/CRI	Distribution	Rotation/Orientation	Mounting	Voltage	Control Receptacle
ASL1 ASL Microstrike Series	160L-100	12,000 lm	2 Type II 3 Type III 4W Type 4W 5QW Type 5QW	L Optic rotation left R Optic rotation right	ASQU Arm Square w/ Universal Mount MAF Mast Arm Fitter for 2-3/8" OD	UNV Universal 120-277V 120 120V 208 208V 240 240V 277 277V 347 347V 480 480V	7PR 7 Pin Receptacle 7PR-SC 7 Pin Receptacle with shorting cap 7PR-TL 7 Pin Receptacle with Photocontrol
	160L-135	18,000 lm					
ASL2 ASL Microstrike Series	320L-145	21,000 lm	5K7 5000K, 70 CRI 5K7 5000K, 70 CRI				
	320L-210	30,000 lm					



ARCHITECTURAL AREA LIGHTING

BEACON PRODUCTS

COLUMBIA LIGHTING

COMPASS

DUAL-LITE

HUBBELL CONTROL SOLUTIONS

HUBBELL OUTDOOR LIGHTING

KIM LIGHTING

KURT VERSEN

LITECONTROL

PRESCOLITE



701 Millennium Blvd. Greenville, SC 29607
Tel 864.678.1000
www.hubbelloutdoor.com

HOL00339 2.5K September 16, 2020 10:10 AM

Copyright © 2020 Hubbell Outdoor Lighting, a division of Hubbell Lighting, Inc. All rights reserved.
Please refer to online specifications for most up-to-date content as specifications are subject to change without notice.
Due to our continued efforts to improve our products, product specifications are subject to change without notice.